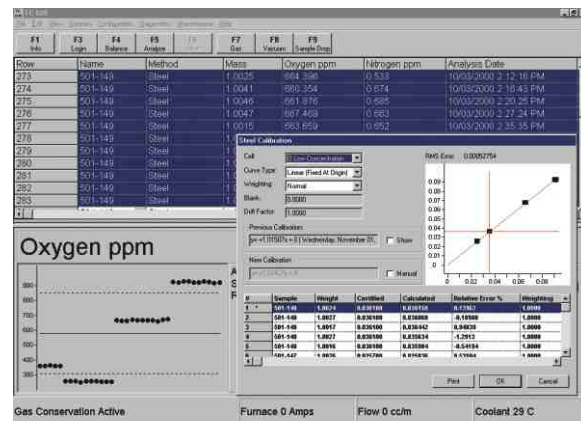
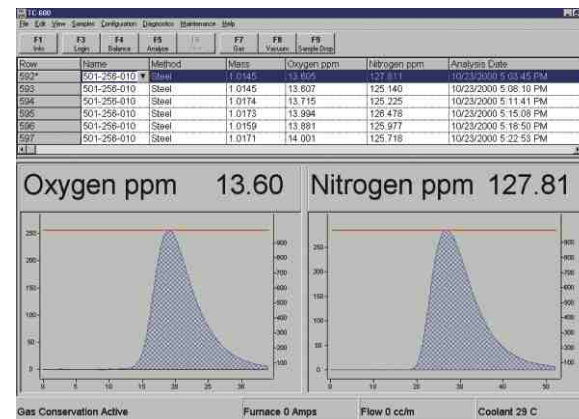


Easy-To-Use Windows®-Based Operating Software

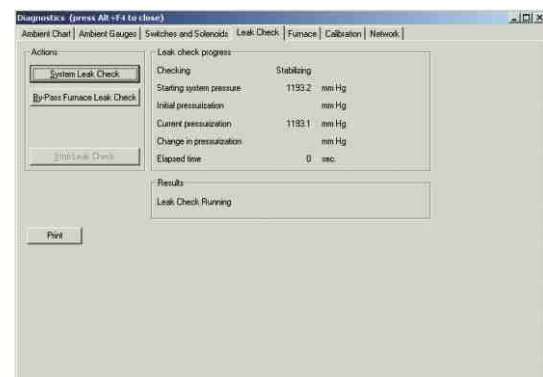
User-friendly toolbars and dropdown menus. Easy to set parameters for calibration method development, advanced diagnostics, flexible reports, and data processing.



Calibration Screen detailing linear, multi-point calibration



Standard Interface incorporates data spreadsheet and sample plots



Real-time diagnostics



On-board help manual

Models

TC500C Nitrogen/Oxygen Determinator with Windows-based operating software, PC, and flat panel display

Refer to the TC500 Nitrogen/Oxygen Determinator Specification Sheet for complete product information and available configurations (form no. 209-104-001)

RO500C Oxygen Determinator with Windows-based operating software, PC, and flat panel display

Refer to the RO500 Oxygen Determinator Specification Sheet for complete product information and available configurations (form no. 209-104-002)

TN500C Nitrogen Determinator with Windows-based operating software, PC, and flat panel display

Refer to the TN500 Nitrogen Determinator Specification Sheet for complete product information and available configurations (form no. 209-104-003)



LECO[®]
TC500 Nitrogen/Oxygen Series

3000 Lakeview Avenue • St. Joseph, MI 49085-2396 • Phone: 800-292-6141 • Fax: 269-982-8977
info@leco.com • www.leco.com • ISO-9001:2000 • No. FM 24045 • LECO is a registered trademark of LECO Corporation.

LECO[®]
Delivering the Right Results

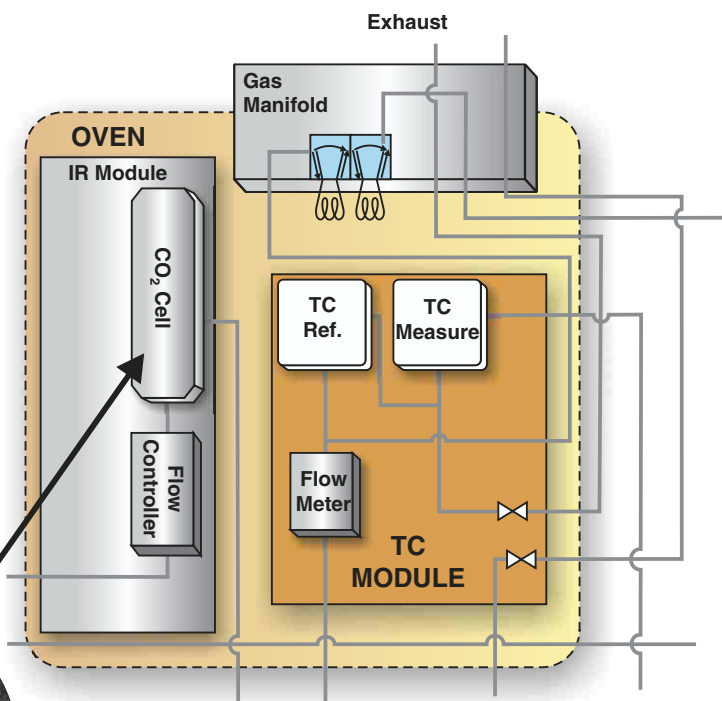
TC500 Nitrogen/Oxygen Series

Quality, performance, and technology to meet your everyday production needs for Nitrogen/Oxygen determination in metals, refractories, and other inorganic materials. LECO—The Authority in Rapid Elemental Determination Since 1936.

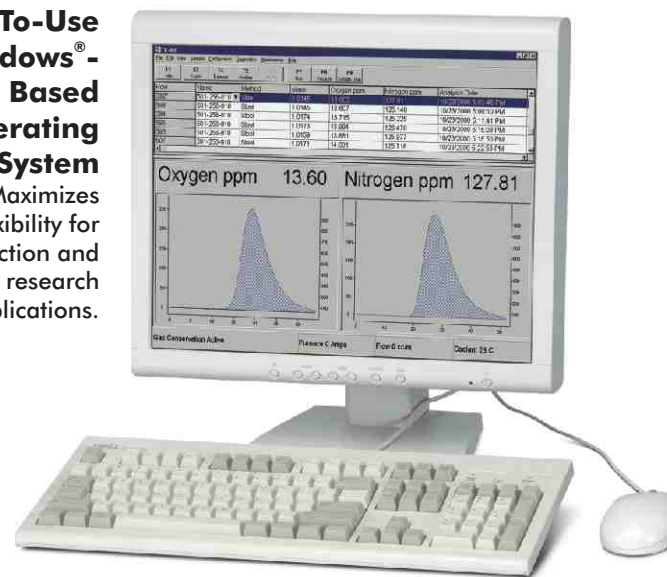
TC500 Performance Advantage

- Improved solid-state infrared (IR) and thermal conductivity (TC) detector
- Electrode impulse furnace with power or current control
- Accuracy and precision to low ppm levels
- Low system blanks with improved loading head
- Safety-protected reagent train
- Reduced maintenance with improved gas transfer
- Small instrument footprint
- Upgradable from single to dual-element detection

Exclusive ECLIPSE network protocol designed by LECO to seamlessly link peripheral system electronics



Easy-To-Use Windows® - Based Operating System
Maximizes flexibility for production and research applications.



SmartLine® Remote Diagnostics
Allows LECO service to connect directly to your instrument for quicker solutions and minimized downtime.



Reagent Train
Reagents last longer and improve analyte and carrier gas transfer. Components protected behind cabinet shield.



Integral Sample Loading Area
The sample loading area minimizes system blanks, simplifies routine maintenance, and optimizes carrier gas purity.



Powerful Electrode Impulse Furnace
Control by power, current, or temperature. Rampable for separation of oxide/nitride forms.



Graphite Crucible Flexibility
Optimizes analyte recovery for a wide variety of applications.